

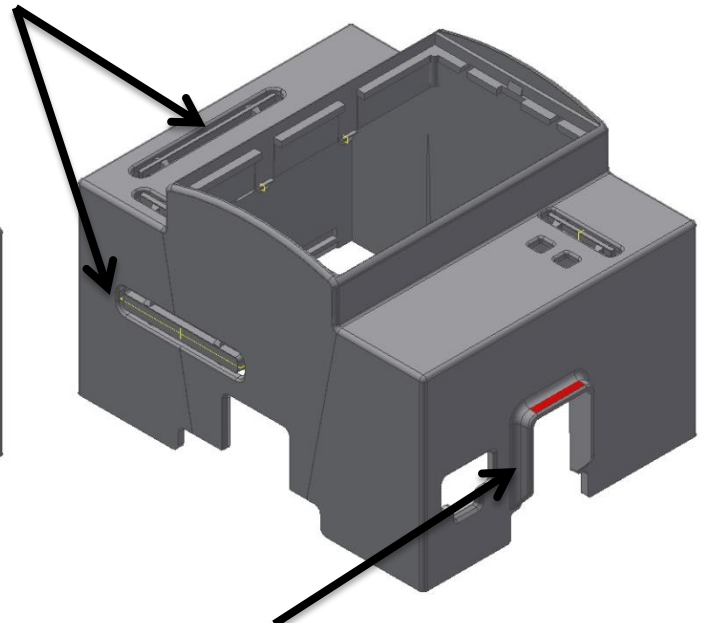
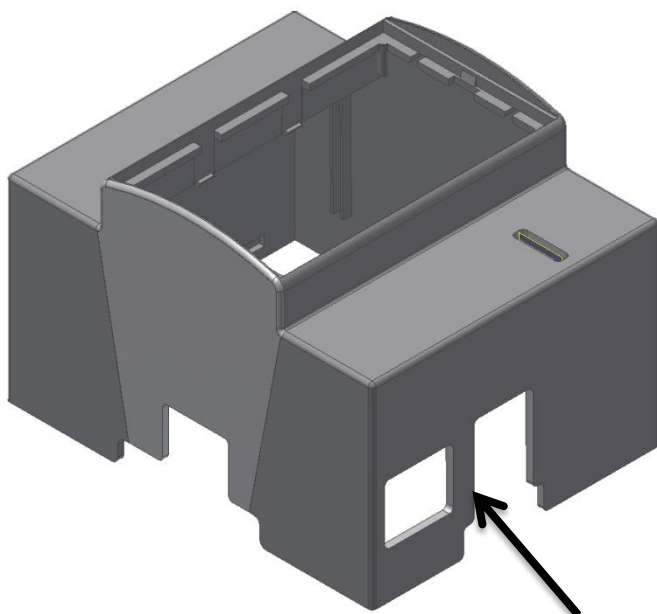
Padova 14/04/2014

## DIFFERENCE BETWEEN 4M RASPBERRY ACTUAL VERSION AND 4M RASPBERRY NEW VERSION

### ACTUAL VERSION

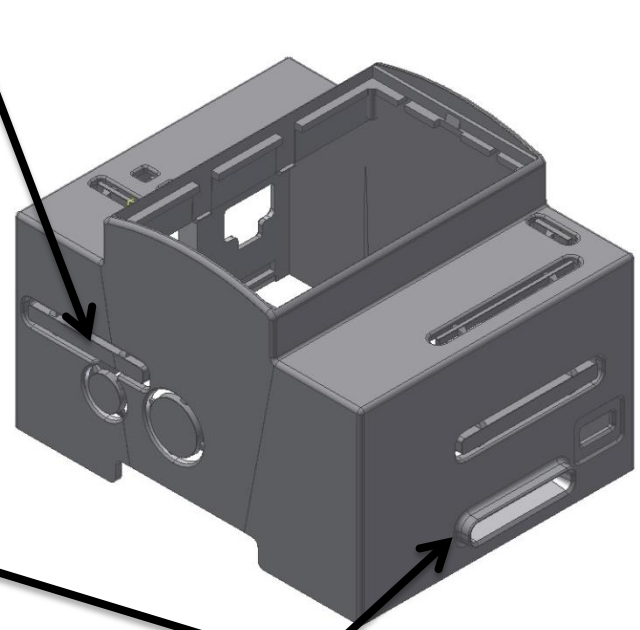
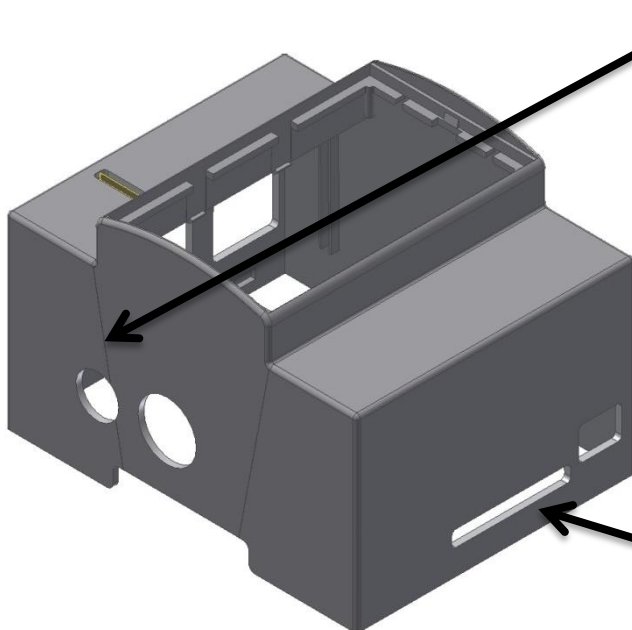
### NEW VERSION

ADDED OPENINGS PRE-BREAKABLE FOR VERSION RASPBERRY+PIFACE

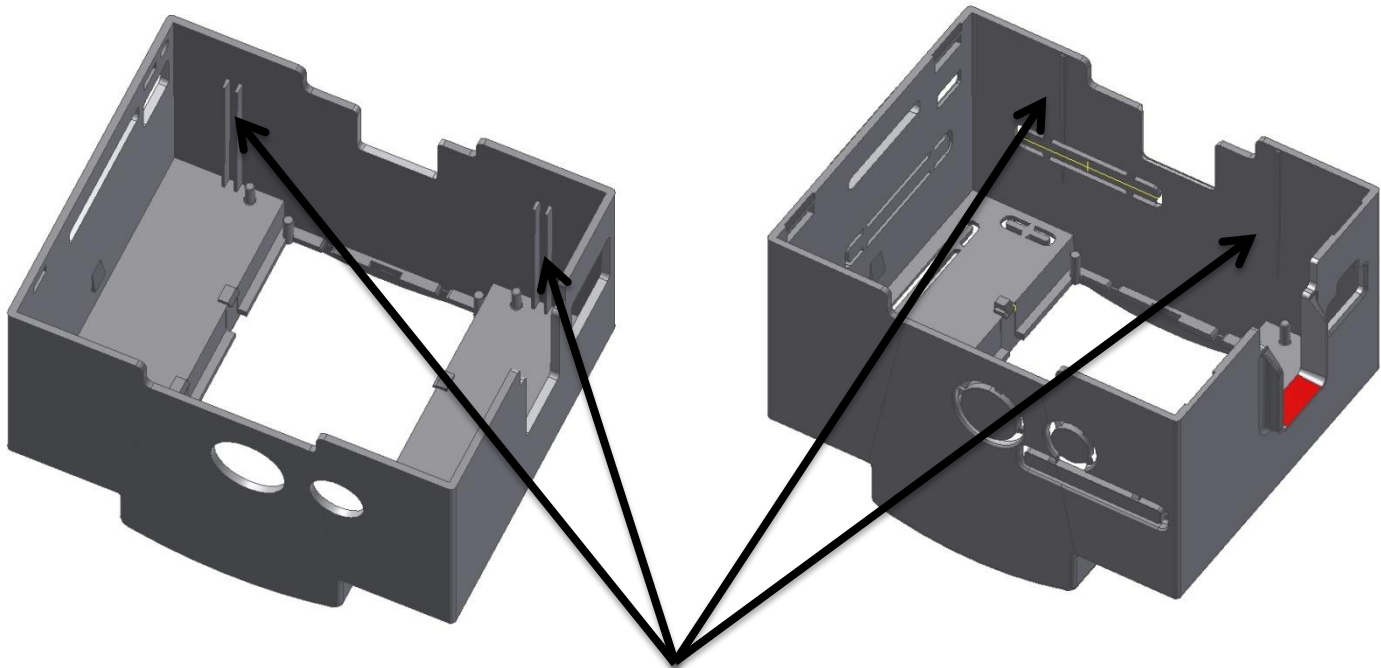


ADDED WALL COVER USB

ADDED OPENINGS PRE-BREAKABLE FOR VERSION RASPBERRY+PIFACE



ADDED WALL COVER CARD SD



REMOVED GUIDE FOR PRINTED CIRCUIT VERTICAL

The new version will be available from August-September 2014 where the new version will replace the actual version.